

4HP15L

PRODUCT SPECIFICATIONS

HIGH EFFICIENCY SPLIT HEAT PUMP SYSTEM UP TO 15 SEER & 9.0 HSPF

FORM NO. 4HP15L-100 (12/2018)



COMPRESSOR

- High-efficiency scroll compressor
- R410A refrigerant
- Grommet mounted compressor for quiet operation
- Heavy-duty compressor sound blanket for quiet operation
- Internally protected against high temperature motor overload conditions

CABINET

- Full metal louvered construction to protect the coil
- Individual metal louvered panels remove easily for coil cleaning and service
- Corner-mounted controls for easy service
- Baked polyester paint finished over galvanized steel for maximum durability
- 45-degree offset gauge ports for easy service
- External gauge ports for easy service

DESIGN

- Designed to perform in temperatures up to 125°F
- Designed to perform in temperatures down to 0°F

COILS

- Omniguard™ total corrosion protection technology designed coil
- Enhanced tube-and-fin coil design featuring MHT™ Technology
- Lanced fins for maximum heat transfer
- Factory tested for leakproof construction
- Raised coil prevents debris from impeding airflow

COMPONENTS

- 45-degree offset gauge ports for easy service
- Factory installed high and low pressure switches
- Thread-on pressure switches for simple, quick service
- Factory installed filter dryer
- Fan orifice for smoother airflow and sound level reduction
- Charged for 15 feet of line set
- Discharge muffler for quiet operation
- Quiet Shift™ capable to reduce noise during defrost

WARRANTY

10 year limited warranty on compressor
10 year limited warranty on all parts, extended warranty available*

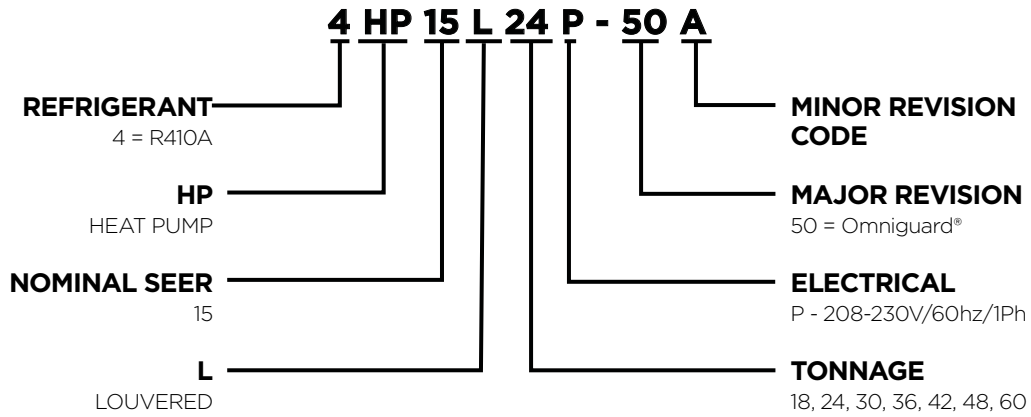
**Warranty provides for a total of 10 years of limited warranty coverage (Standard 5-year limited parts warranty plus an additional 5-year limited extended parts warranty). Warranty must be registered online within 60 days of installation to qualify for 10-year coverage. Unregistered equipment defaults to 5-year coverage. Lifetime limited heat exchanger warranty applies to registered equipment only (Standard 20 years with no online registration). See full warranty at www.alliedair.com for terms, conditions and exclusions.*

NOTE:

For the latest AHRI system matches, please visit www.alliedratings.com or www.AHRInet.org



MODEL NUMBER GUIDE



PHYSICAL AND ELECTRICAL DATA

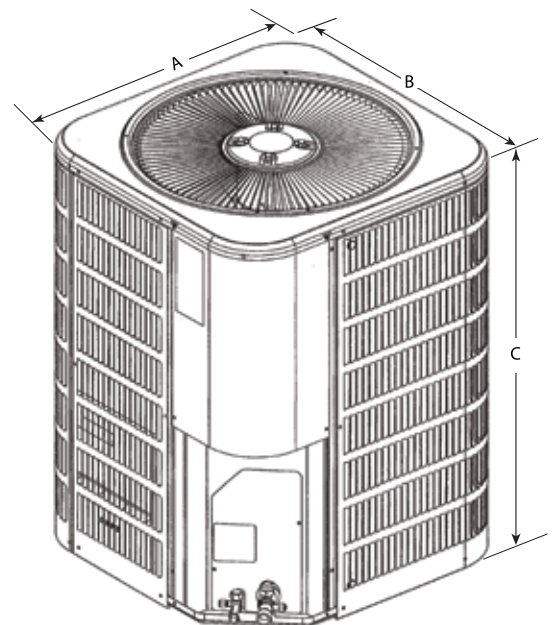
Model	Voltage/Hz/ Phase	Voltage Range	Min. Circuit Amp.	Max. Over Current Device (amps)	Compressor		Outdoor Fan Motor			Shipping Weight (lbs.)
					Rated Load (amps)	Locked Rotor (amps)	Full Load (amps)	Rated HP	Nom. RPM	
4HP15L18P-50	208-230/60/1	197-253	12.3	20	9.0	48	1.1	1/6	825	182
4HP15L24P-50	208-230/60/1	197-253	17.9	30	13.4	58	1.1	1/6	825	184
4HP15L30P-50	208-230/60/1	197-253	17.1	25	12.8	64	1.1	1/6	825	183
4HP15L36P-50	208-230/60/1	197-253	18.7	30	14.1	77	1.1	1/6	825	199
4HP15L42P-50	208-230/60/1	197-253	25.8	45	19.2	123.9	1.8	1/4	825	249
4HP15L48P-50	208-230/60/1	197-253	26.2	45	19.6	130	1.8	1/4	825	252
4HP15L60P-50	208-230/60/1	197-253	29.6	50	22.2	127.9	1.8	1/4	825	270

Note:
Weights listed are unit weights with packaging
+ Factory charged for 15 feet of line set. Adjust per installation instructions.

UNIT DIMENSIONS AND SOUND RATINGS

Model	Dimensions (inch)			Sound Rating (dBA)
	A - Width	B - Depth	C - Height	
4HP15L18P-50	28.25	28.25	43.25	76
4HP15L24P-50	28.25	28.25	43.25	76
4HP15L30P-50	28.25	28.25	43.25	76
4HP15L36P-50	28.25	28.25	37.25	76
4HP15L42P-50	32.25	32.25	37.25	79
4HP15L48P-50	32.25	32.25	37.25	80
4HP15L60P-50	32.25	32.25	43.25	80

Note:
Dimensions listed are unit sizes w/o packaging



ACCESSORIES

Description	Where Used	Kit Number
TXV Kit	18, 24, 30	H4TXV01
	36, 42, 48	H4TXV02
	60	H4TXV03
Crankcase Heater	All models	Factory Installed
Sound Blanket	12, 24, 30, 36	14W00
	42, 48, 60	14W01 (Factory Installed)
Short Cycle Protector	All models	Control Board Feature
Freezestat	3/8 tubing	93G35
Electric heat Outdoor Thermostat & Mounting Box	All models	56A87 / 31461
Fossil Fuel Kit	All models	93G35
Liquid Line Solenoid	All models	1.841189
Single Power Point Supply	All models	21H39
Low Ambient (Cooling Operation)	All models	68M04
Mild Ambient (Cooling Operation)	All models	33M07
Cold Weather	All models	1.921145

REFRIGERATION DATA

Model	Refrig. Charge (oz.) *	TXV	Refrigerant Line Size		Outdoor Unit Connection		Indoor Unit Connection	
			Suction	Liquid	Suction	Liquid	Suction	Liquid
4HP15L18P-50	112	H4TXV01	3/4	3/8	3/4	3/8	3/4	3/8
4HP15L24P-50	115	H4TXV01	3/4	3/8	3/4	3/8	3/4	3/8
4HP15L30P-50	115	H4TXV01	3/4	3/8	3/4	3/8	3/4	3/8
4HP15L36P-50	161	H4TXV02	7/8	3/8	7/8	3/8	3/4	3/8
4HP15L42P-50	171	H4TXV02	7/8	3/8	7/8	3/8	7/8	3/8
4HP15L48P-50	171	H4TXV02	7/8	3/8	7/8	3/8	7/8	3/8
4HP15L60P-50	193	H4TXV03	1 1/8	3/8	7/8	3/8	7/8	3/8

Note:
 * Factory charged for 15 feet of line set; adjust per installation instructions.

COOLING PERFORMANCE

Outdoor Model	Indoor Model	Cooling				Heating				
		SEER	EER	AHRI Rated Capacity ¹	Sensible Capacity	HSPF	47°		17°	
	Evap. Coil or Air Handler ²						Btuh	COP	Btuh	COP
4HP15L18P-50	BCE5C18MA4X	14	12.2	18000	14000	8.2	17400	3.5	10500	2.3
4HP15L24P-50	BCE5C24MA4X	14	12	23200	18200	8.2	22000	3.6	14000	2.4
4HP15L30P-50	BCE5C30MA4X	14	11.7	29200	22500	8.2	26200	3.5	17400	2.5
4HP15L36P-50	BCE5C36MA4X	14	12	33200	25600	8.2	31000	3.4	19900	2.4
4HP15L42P-50	BCE5C42MA4X	14	12	40500	30800	8.2	39500	3.2	26000	2.4
4HP15L48P-50	BCE5C48MA4X	14	12	47500	35800	8.2	46000	3.4	28800	2.4
4HP15L60P-50	BCE5C60MA4X	14	12	56500	41200	8.2	54000	3.5	35200	2.6

Note:
¹ Certified in accordance with Unitary Air Conditioner Certification Program, which is based on AHRI Standard 210/240
² A blower time delay relay is standard on all Allied Air Enterprises furnace and AH products.

NOTE:

For the latest AHRI system matches, please visit www.alliedratings.com or www.AHRInet.org



1-800-448-5872

All specifications and illustrations subject to change without notice and without incurring obligations.