

# 4SCU14LB

## PRODUCT SPECIFICATIONS

SPLIT AIR CONDITIONER SYSTEM  
UP TO 16 SEER

FORM NO. 4SCU14LB-100 (12/2018)



### COMPRESSOR

- High-efficiency scroll compressor
- R410A refrigerant
- Grommet mounted compressor for quiet operation
- Heavy-duty compressor sound blanket for quiet operation (optional accessory)
- Internally protected against high temperature motor overload conditions

### CABINET

- Full metal louvered construction to protect the coil/ hail protection
- Individual louver panels; 2 screws to remove for ease of coil cleaning and service
- Corner-mounted controls for easy service
- Baked polyester paint finished over galvanized steel for maximum durability
- Removable PVC coated wire fan discharge grill
- 45-degree offset gauge ports for easy service
- Removable service panel for internal access
- External gauge ports for easy service

### COILS

- Omniguard™ total corrosion protection technology designed coil
- Enhanced tube-and-fin coil design featuring MHT™ Technology
- Lanced fins for maximum heat transfer
- Every coil factory tested for leakproof construction
- Raised coil prevents debris from impeding airflow

### COMPONENTS

- 45-degree offset gauge ports for easy service
- Factory installed high pressure switches
- Thread-on pressure switches for simple, quick replacement
- Filter drier shipped loose for installation flexibility
- Fan orifice for smoother airflow and sound level reduction
- Charged for 15 feet of line set
- Sealed Contactor with lugs

### WARRANTY

10 year limited warranty on compressor

10 year limited warranty on all parts, extended warranty available\*

*\*Warranty provides for a total of 10 years of limited warranty coverage (Standard 5-year limited parts warranty plus an additional 5-year limited extended parts warranty). Warranty must be registered online within 60 days of installation to qualify for 10-year coverage.*

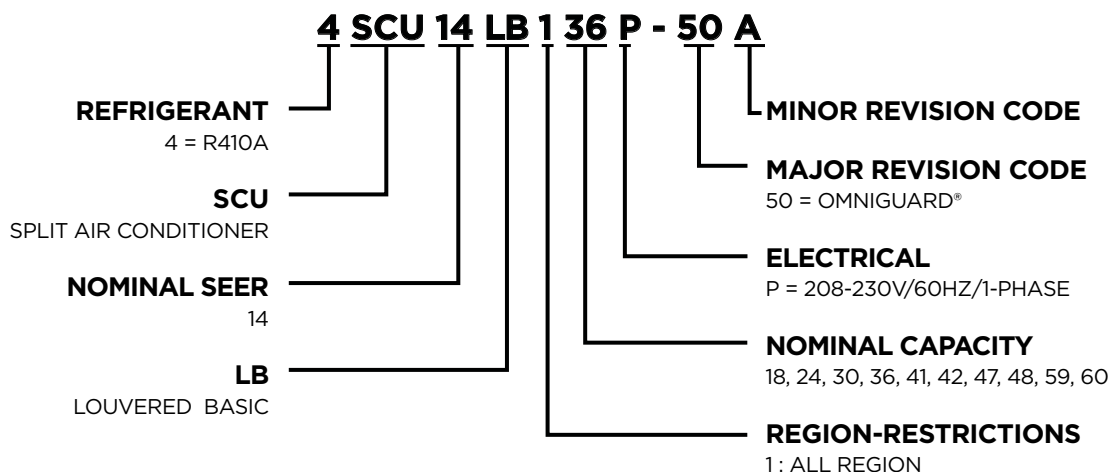
*Unregistered equipment defaults to 5-year coverage. Lifetime limited heat exchanger warranty applies to registered equipment only*

### NOTE:

For the latest AHRI system matches please visit [www.alliedratings.com](http://www.alliedratings.com) or [www.AHRInet.org](http://www.AHRInet.org)



**MODEL NUMBER GUIDE**



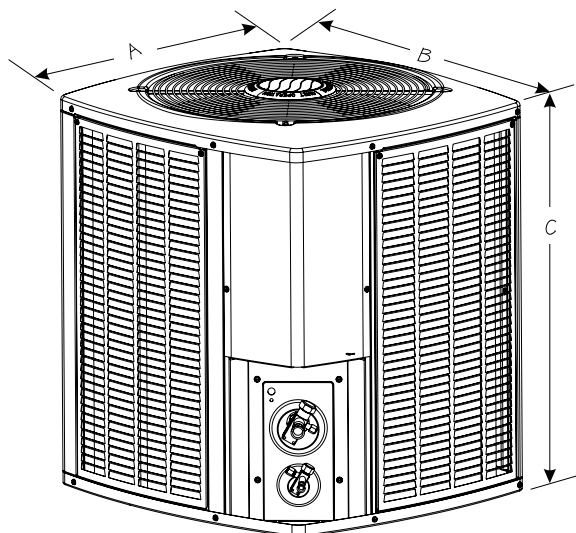
**ELECTRICAL AND PHYSICAL DATA**

Model	Voltage/Hz/ Phase	Voltage Range	Min. Circuit Amp.	Max. Over Current Device (amps)	Compressor		Outdoor Fan Motor	
					Rated Load (amps)	Locked Rotor (amps)	Rated Load (amps)	Rated HP
4SCU14LB118P-50A	208-230/60/1	197-253	11.9	20	9.0	48	0.7	1/10
4SCU14LB124P-50A	208-230/60/1	197-253	14.6	25	10.9	52	1.0	1/6
4SCU14LB130P-50A	208-230/60/1	197-253	17	25	12.8	63	1.0	1/6
4SCU14LB136P-50A	208-230/60/1	197-253	18	30	13.6	79	1.0	1/6
4SCU14LB141P-50A	208-230/60/1	197-253	19.3	30	14.7	75	1.0	1/6
4SCU14LB142P-50A	208-230/60/1	197-253	23.4	40	17.9	112	1.0	1/6
4SCU14LB147P-50A	208-230/60/1	197-253	22.9	35	16.9	94	1.8	1/3
4SCU14LB148P-50A	208-230/60/1	197-253	24.2	40	18.0	94	1.7	1/4
4SCU14LB159P-50A	208-230/60/1	197-253	28.8	45	20.8	127	2.8	1/3
4SCU14LB160P-50A	208-230/60/1	197-253	29.6	50	22.2	128	1.8	1/3

Note:  
+ Factory charged for 15 feet of line set. Adjust per installation instructions.

**DIMENSIONS (IN.) AND SOUND RATINGS**

Model	Dimensions (inch)			Shipping Weight (Lbs.)	Sound Rating (dBA)
	A - Width	B - Depth	C - Height		
4SCU14LB118P-50A	24.75	26.75	29.75	155	76
4SCU14LB124P-50A	29.38	31.25	29.75	171	76
4SCU14LB130P-50A	29.38	31.25	37.75	187	75
4SCU14LB136P-50A	29.38	31.25	29.75	205	76
4SCU14LB141P-50A	29.38	31.25	37.75	227	74
4SCU14LB142P-50A	29.38	31.25	37.75	234	77
4SCU14LB147P-50A	35.75	37.75	33.75	272	79
4SCU14LB148P-50A	29.38	31.25	37.75	255	76
4SCU14LB159P-50A	35.75	37.75	43.75	284	77
4SCU14LB160P-50A	35.75	37.75	43.75	284	78



Note:  
Dimensions listed are unit sizes w/o packaging

**ACCESSORIES**

Description	Where Used	Kit Number
Crankcase Heater	All Models	93M04
Hard Start Kit	18	10J42
	24, 30, 36, 41, 42, 47, 48, 59, 60	88M91
Low Ambient Kit	All models	34M72
Short Cycle Protector	All models	47J27
Freezestat	3/8 tubing	93G35
Time Delay Relay	All Models	58M81
Loss of Charge Kit	All models	84M23
Sound Blanket	18, 24, 30, 36 , 41	14W00
	42, 47, 48, 59, 60	14W01
TXV Kit	18, 24, 30	H4TXV01
	36, 41, 42, 47, 48	H4TXV02
	59, 60	H4TXV03

**REFRIGERATION DATA**

Model	Refrig. Charge (oz.) *	TXV	Refrigerant Line Size		Outdoor Unit Connection		Indoor Unit Connection	
			Suction	Liquid	Suction	Liquid	Suction	Liquid
4SCU14LB118P-50A	73	H4TXV01	3/4	3/8	3/4	3/8	3/4	3/8
4SCU14LB124P-50A	73	H4TXV01	3/4	3/8	3/4	3/8	3/4	3/8
4SCU14LB130P-50A	100	H4TXV01	3/4	3/8	3/4	3/8	3/4	3/8
4SCU14LB136P-50A	113	H4TXV02	7/8	3/8	7/8	3/8	7/8	3/8
4SCU14LB141P-50A	144	H4TXV02	7/8	3/8	7/8	3/8	7/8	3/8
4SCU14LB142P-50A	140	H4TXV02	7/8	3/8	7/8	3/8	7/8	3/8
4SCU14LB147P-50A	176	H4TXV02	7/8	3/8	7/8	3/8	7/8	3/8
4SCU14LB148P-50A	156	H4TXV02	7/8	3/8	7/8	3/8	7/8	3/8
4SCU14LB159P-50A	192	H4TXV03	1 1/8	3/8	7/8**	3/8	7/8	3/8
4SCU14LB160P-50A	192	H4TXV03	1 1/8	3/8	7/8**	3/8	7/8	3/8

\* Factory charged for 15 feet of line set

\*\* Adapter shipped with unit

**COOLING PERFORMANCE**

Outdoor Model	Indoor Model	Capacity (BTUH)	EER	SEER
4SCU14LB118P-50A	EAC4X24B	18,000	12.20	14.00
4SCU14LB124P-50A	EAC4X24B	23,200	12.20	14.25
4SCU14LB130P-50A	EAC4X30B	28,000	12.20	14.25
4SCU14LB136P-50A	EAC4X36B	34,000	12.20	14.50
4SCU14LB141P-50A	EAC4X49C	37,000	12.50	15.10
4SCU14LB142P-50A	EAC4X49C	41,000	12.20	14.25
4SCU14LB147P-50A	EAC4X60C	46,000	12.50	14.50
4SCU14LB148P-50A	EAC4X60C	46,000	11.70	14.25
4SCU14LB159P-50A	EAC4X60C	57,000	12.20	14.25
4SCU14LB160P-50A	EAC4X60C	57,500	11.70	14.00

**NOTE:**

For the latest AHRI system matches please visit [www.alliedratings.com](http://www.alliedratings.com) or [www.AHRInet.org](http://www.AHRInet.org)



1-800-448-5872

All specifications and illustrations subject to change without notice and without incurring obligations.